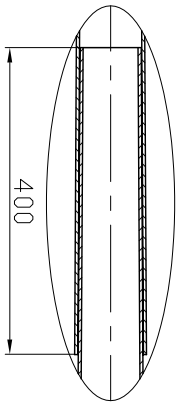
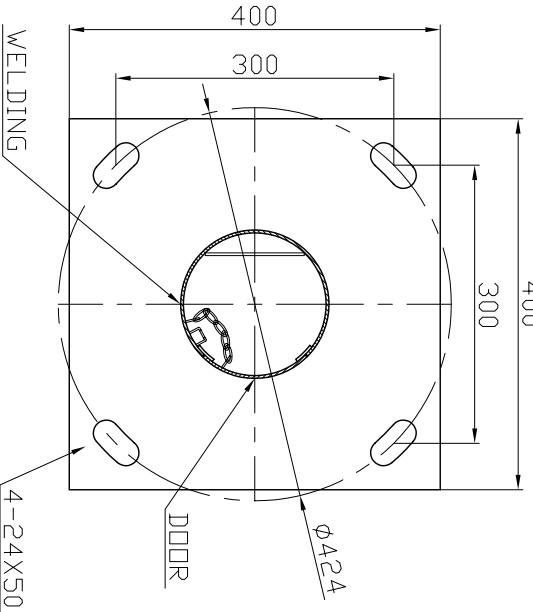


DETAIL B

A-A



NOTES:
 1. ALL DIMENSIONS ARE IN MILLIMETER.
 2. FINISH: HOT DIP GALVANIZED TO BS EN ISO1461.
 MIN. AVERAGE COATING 607g/m² (85 MICRONS).



NINGBO LIADYUAN LIGHTING CO., LTD

TITLE	8M CONICAL STEEL POLE			SCALE	N.T.S
PROJECT	Kevin.J	Craft	Quantity	DWG NO.	
Drawn			Weight		
Checked			Material:	SS400	
Approver		Date	23/05/06		NBD70-01